

USB KVM SWITCH

Control up to 32 USB computers with one USB keyboard/mouse and VGA monitor



UNIMUX-USBV-8ORS (Front and Back)

Features & Applications

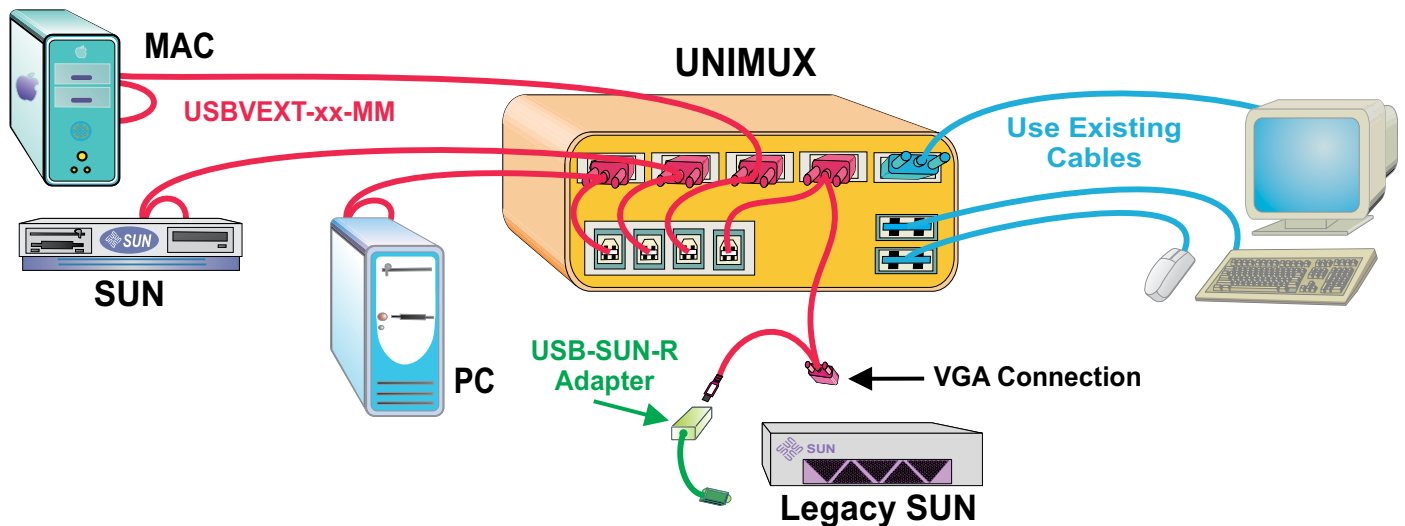
Control up to 32 USB-enabled computers with one USB keyboard, USB mouse and VGA monitor with the UNIMUX™ KVM switch. Dedicated internal microprocessors emulate keyboard and mouse presence to each attached computer 100% of the time so all computers boot error-free.

- Boot all USB computers in ONE operation.
- Supports crisp and clear 2048x1536 video resolution with no degradation.
- Fully compliant with USB standards (1.0, 1.1).
- Compatible with USB-enabled PC, SUN and MAC computers.
- USB SUN start-up keys are supported.
- SUN extra keys are emulated on USB keyboards with Windows keyboard layout.
- USB MAC start-up keys are supported.
- Supports international keyboard layouts in auto-detection mode.
- Available with RS232 control option.

Cascade to add ports to your switch

- Cascade 4, 8 or 16-port UNIMUX switches off a single master switch to control up to 1,024 computers as if from one switch.
- Cascaded switches use computer/video ports and the remote port on the master switch.

Configuration and Cable Illustration



Specifications

Hosts

- Female 15-pin HD and female USB Type B connectors.
- Supports SUN Blade 100, SUN Blade 1000, SUN Ray, SUN Fire™ 240, and SUN Fire™ V20z.
- Supports PCs with USB-enabled OS (Windows 98/ME/2000/XP, Windows Server 2003, Linux) and USB ports.
- Supports PCs with USB-enabled BIOS (legacy USB support) and USB ports.
- Supports MAC G4, G5 and Xserve. Supports MAC soft (keyboard) power-on.
- Any legacy PS/2 or SUN computer can be connected by using a USB-PS2-R or USB-SUN-R.

Monitor

- Crisp and clear 2048x1536 resolution.
- Female 15-pin HD connector.
- A multiscan VGA monitor is required to display the different video outputs from different platforms.
- Bandwidth is 150 MHz.

Devices

- Female USB Type A connectors.
- Compatible with most USB keyboards and mice, including Microsoft USB Intellimouse®, Logitech Cordless Elite Duo keyboard and mouse, Gyration keyboard/mouse and Crystal Vision keyboard with touchpad.
- Keyboard and mouse are hot-pluggable.
- Supports up to eight USB devices (keyboards and mice only) using USB hubs (not included).

Power

- 110 or 220 VAC at 50 or 60 Hz via AC adapter for 2-, 4-, 16-, and 32-port models.
- 110 or 220 VAC at 50 or 60 Hz via IEC connector for 4-port with RS232 option and 8-port models.

Regulatory Approvals

- CE, RoHS
 - CE available on all models except UNIMUX-USBV-2

Warranty

- Two years.

Built-in Control Methods

Front Panel Interface

- Touch a button and be connected to a computer, or change modes of operation.
- LEDs indicate currently selected port and mode of operation.
- Hold in any button for more than five seconds to go into **Scan, Broadcast or Command Mode**.
 - In **Normal Operating Mode**, the user can directly operate the selected computer with transparent presence of the NTI switch.
 - **Scan Mode** automatically and sequentially displays the video from each powered-on computer. Duration of display can be 2-255 seconds.
 - **Broadcast Mode** allows the user's keystrokes to be sent to all powered-on computers. (Broadcast Mode is not available for MACs.)
 - **Command Mode** allows the user to give instructions to the switch through his/her keyboard. Keystrokes are not passed to the computer.

Keyboard

- **Scan, Broadcast or Command Modes** are available from the keyboard.
- Use the keyboard to command the switch box to select ports or configure the **SCAN** delay.
- Type <Ctrl> + <`> (or <Compose> + <`>) to go into **Command Mode**. (" ` " is the accent mark located on the same key as the tilde " ~ ").
- Press <Esc> to leave **Command Mode** and return to **Normal** or **Scan Mode**.

On Screen Display (OSD)

- Select computers by name with On Screen Display (OSD). Not available on 2-port switch.
- Use keyboard or mouse to operate the switch from menus superimposed onto the monitor.
- Shows names of computers on cascaded switches up to 152 ports.
- Names can be up to 12 characters long.
- Power status of each computer is displayed.
- Help screens assist users with the OSD.
- Modify the size and position of the OSD.
- OSD is built into the switch—no need to install additional hardware or software.
- OS and software-independent.

Security

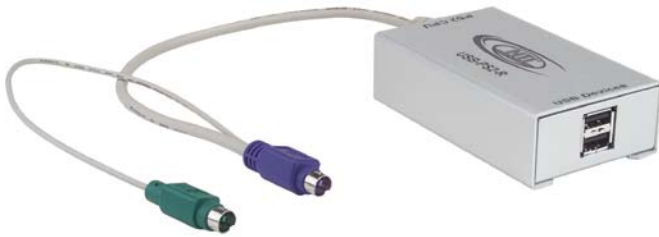
- Advanced security included.
- Each user password and name can be up to 13 characters long, and each switch can store up to 63 users.
- Administrator can enable or disable all security features and select which computers each user can access.
- Once security is enabled, a user or administrator must login in order to access any of the computers connected to the switch.



USB KVM SWITCH

Control up to 32 USB computers with one USB keyboard/mouse and VGA monitor

PS/2 to USB and SUN to USB Adapters



USB-PS2-R

- The USB-PS2-R adapter connects a legacy PS/2 computer to an NTI USB KVM switch.
- Two female USB Type A and two male 6-pin miniDIN connectors.
- One-meter male USB Type A to male USB Type B cable is included.
- Dimensions WxDxH (in): 2.4x4x1.1



USB-SUN-R

- The USB-SUN-R adapter connects a legacy SUN computer to an NTI USB KVM switch.
- Two female USB Type A and one male 8-pin miniDIN connectors.
- One-meter male USB Type A to male USB Type B cable is included.
- Dimensions WxDxH (in): 2x3.7x1.1

RS232 Control Option

- Baud rate 300 through 9600, DIP switch selectable.
- Use DIP switches to address up to eight units, all of which can be daisy-chained and controlled by one serial port.
- Female DB9 connector.
- Add "RS" to the end of the part number to specify this option.

Rackmount Option

- Optional feature. Only available on the 2-port switch.
- Add "R" to the end of the part number for a rackmount in a 19" metal case.

Ordering Specifications

This example explains the NTI part number by breaking it down into the available options. When ordering, choose the options that you require.

Universal Serial Bus Version Number of Ports Optional Rack Mount Enclosure Control Method
UNIMUX - USBV - X R RS
 "x" = 2, 4, 8, 16, 32 Only available on 2-port switch

USB KVM Switch Models

NTI Part #	# of CPUs (x)	Desktop Size WxDxH (in)	Rack Units	Rack Size WxDxH (in)
UNIMUX-USBV-2	2	5.2x4.2x1.6	NA	NA
UNIMUX-USBV-2R	2	NA	1RU	19x10x1.75
UNIMUX-USBV-4O	4	13.3x5.9x1.75 (without supplied rackmount kit)	1RU	19x5.9x1.75 (with supplied rackmount kit)
UNIMUX-USBV-8O	8	13.3x5.9x1.75 (without supplied rackmount kit)	1RU	19x5.9x1.75 (with supplied rackmount kit)
UNIMUX-USBV-16O	16	N/A	2RU	19x10x3.5
UNIMUX-USBV-32O	32	N/A	4RU	19x10x7

Cables

- Interface cables between your computers and the switch are required for proper operation. Use USBVEXT-xx-MM and standard interface cables to connect switches to computers.
- Cables not included.

