

CONSOLE SERIAL PORT SWITCH WITH ETHERNET CONTROL OPTION

Manage up to 32 IT devices – routers, switches, hubs, etc.



SERIMUX-CS-32E (Front and Back)

Features & Applications

The SERIMUX® Console Switch gives IT managers the ability to cost effectively manage serial devices, including servers, switches, routers, and telecom gear. The switch can be controlled via an ASCII terminal with menu-driven integrated software, the front panel keypad, or optional Ethernet interface.

- Eliminates the need to connect each device to an ASCII terminal or PC.
- Connect up to 32 devices with different baud rates, parity, and character length. Each switch also has one RJ45 connector for a local terminal.
- Provides out-of-band access to network devices (servers, routers, network switches, and any other network devices allowing console operation using RS232).
- Power cycle without halting SUN host computer.
 - No inadvertent "break" signals are generated to cause unintentional rebooting of SUN computers.
- Dual power option creates a redundant power system protecting the console switch from any power failure issues.
- Connects to console serial ports using standard CAT5/5e/6 cables and cable adapters.
 - Maximum cable length is 1,000 feet.
- Two operator levels (administrator and user).
- Switching is simplified with programmable device names and menu-driven device selection.
 - All configuration parameters are stored in non-volatile EEPROM.
- Built-in data buffers save the most RS232 console output from each connected device, which simplifies troubleshooting failures.
- Local commands can be directed via VT52, VT100, ANSI serial console, a PC with a terminal emulation program, or any compliant terminal.
- Gain access to servers without interrupting service to end-users; maintain optimal up-time.
- Manage server farms or data centers via serial ports and standard external modems or through optional Ethernet interface using Telnet or Web interface.
- 1RU rackmount case is standard.

Specifications

Compatibility

- Supports most devices with an RS232 serial port.

Serial Interface

- 8, 16, 24 or 32 RJ45 EIA-232 serial port connectors.
- One RJ45 EIA-232 console port connector.
- Flow control: Hardware (RTS/CTS), Software (XON, XOFF), both or none.
- Signals: TXD, RXD, DSR, DTR, CTS, RTS, DCD
- Data transfer rate: up to 115.2K baud between two ports.
 - Two ports can be at different baud rates.

Network Interface (Optional)

- 10/100 BaseT Ethernet port with RJ45 connector.
- Supports static and dynamic IP addresses.

Protocols (For Optional Ethernet Control)

- HTTP, HTTPS, ICMP, DHCP.
- TCP/IP, SSL, Telnet.

Dimensions

- 4-port switch, optional ethernet control WxDxH (in):
 - 9x6x1.75 (without supplied rackmount kit)
 - 19x6x1.75 (with supplied rackmount kit)
- 4-port switch with dual power, dual power and ethernet control WxDxH (in):
 - 11x6x1.75 (without supplied rackmount kit)
 - 19x6x1.75 (with supplied rackmount kit)
- 8-, 16-, 24-, and 32-port switches, optional ethernet control WxDxH (in):
 - 15.3x6x1.75 (without supplied rackmount kit)
 - 19x6x1.75 (with supplied rackmount kit)
- 8-, 16-, 24-, and 32-port switches with dual power, dual power and ethernet control WxDxH (in):
 - 16.2x6x1.75 (without supplied rackmount kit)
 - 19x6x1.75 (with supplied rackmount kit)

CONSOLE SERIAL PORT SWITCH WITH ETHERNET CONTROL OPTION

Manage up to 32 IT devices – routers, switches, hubs, etc.

Specifications (Continued)

Power

- Input voltage: AC 100 - 240V, 50 - 60Hz
- Optional dual power available on all models.

Regulatory Approvals

- CE, RoHS

Environmental

- Operating temperature: 32°F - 100°F (0°C - 38°C).
- Storage temperature: -20°F - 140°F (-30°C - 60°C).
- Operating and Storage Relative Humidity: 17 - 90% non-condensing RH.

Warranty

- Two years

Power Consumption

Model	Power (W)	Model	Power (W)
4-port	5	24-port	10
8-port	5	32-port	10
16-port	10		

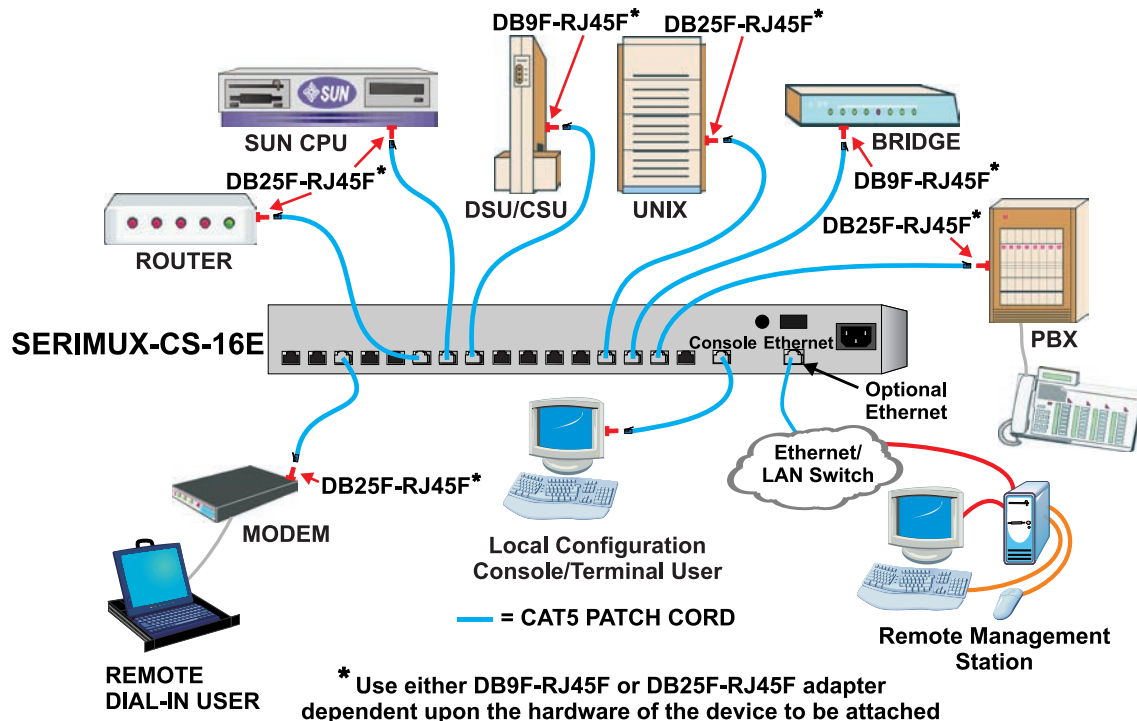
Distances and Baud Rates for CAT5/5e/6 Cables

Distances (feet)	Speed (Baud)
1000	38.4k
500	57.6k
250	115.2k

MTBF

NTI Part #	MTBF (hrs)	NTI Part #	MTBF (hrs)
SERIMUX-CS-4	57,847	SERIMUX-CS-4E	50,793
SERIMUX-CS-4DP	57,695	SERIMUX-CS-4EDP	50,661
SERIMUX-CS-8	54,652	SERIMUX-CS-8E	48,506
SERIMUX-CS-8DP	54,526	SERIMUX-CS-8EDP	48,406
SERIMUX-CS-16	53,238	SERIMUX-CS-16E	47,383
SERIMUX-CS-16DP	53,107	SERIMUX-CS-16EDP	47,280
SERIMUX-CS-24	50,304	SERIMUX-CS-24E	45,045
SERIMUX-CS-24DP	50,198	SERIMUX-CS-24EDP	44,959
SERIMUX-CS-32	48,240	SERIMUX-CS-32E	43,383
SERIMUX-CS-32DP	48,143	SERIMUX-CS-32EDP	43,304

Configuration and Cable Illustration



CONSOLE SERIAL PORT SWITCH WITH ETHERNET CONTROL OPTION

Manage up to 32 IT devices – routers, switches, hubs, etc.

Adapters



DB9F-RJ45F

- Adapter to connect DB-9M serial ports to the SERIMUX.



DB25F-RJ45F

- Adapter to connect DB-25M serial ports to the SERIMUX.



DB25M-RJ45F-T

- Adapter to connect DB-25F serial ports to the SERIMUX.



DB25M-RJ45F-C

- Adapter to connect a modem to the SERIMUX.

PORT CONFIGURATION

Port List:						
Port No.	Name	Connected	Baud Rate	Parameters	Flow Type	Timeout
0	Port00	Port 1	115200	8-1-None	Hard	1 min
1	Port01	Port 0	115200	8-1-None	Hard	1 min
2	Port02	None	115200	8-1-None	Hard	Never
3	Port03	None	115200	8-1-None	Hard	Never
4	Port04	None	115200	8-1-None	Hard	Never
5	Port05	None	115200	8-1-None	Hard	Never
6	Port06	None	115200	8-1-None	Hard	Never
7	Port07	None	115200	8-1-None	Hard	Never
8	Port08	None	115200	8-1-None	Hard	Never

Screenshot of the Web server interface

Built-In Control Methods

Control Methods

- Front panel keypad.
 - Secured by a user-defined numeric password.
- Menu-driven integrated software via serial terminal console.
- Optional Ethernet control.
 - Configuration and control can be done over the Internet via Web Interface or Telnet.

Administrative Controls

- View and/or modify port parameters.
- View and/or modify user passwords and parameters.
- Restore default configuration parameters.
- Connect or disconnect port connections.
- Change/disconnect users, administrators, passwords, etc.
- Initiate modem connection to local ports.
- Inspect buffered data.
- View/delete port-buffer (data-log) contents.
- User passwords become "invisible" while viewing the buffers.

Adapters

- Four cable adapters are included with the SERIMUX.
 - DB-25 Male Console Adapter.
 - DB-25 Male Modem Adapter.
 - DB-9 Female Console Adapter.
 - DB-25 Female Console Adapter.
- Additional adapters available.

Cables

- Use CAT5, CAT5e or CAT6 UTP straight through cable for TIA/EIA-568B wiring terminated with standard RJ45 connectors.
- Cables not included.



CONSOLE SERIAL PORT SWITCH WITH ETHERNET CONTROL OPTION

Manage up to 32 IT devices – routers, switches, hubs, etc.

Ordering Specifications

Console Serial Port Switch

This example explains the SERIMUX switch part number by breaking it down into the available options. When ordering, choose the options that you require.

Console Switch	Number of Ports	Optional Control Method	Dual Power Option
SERIMUX-CS-	X	E	DP

E = Ethernet Control

Console Serial Port Switch Models

NTI Part#	Description
SERIMUX-CS-4	4-port console serial port switch
SERIMUX-CS-8	8-port console serial port switch
SERIMUX-CS-16	16-port console serial port switch
SERIMUX-CS-24	24-port console serial port switch
SERIMUX-CS-32	32-port console serial port switch



330.562.1999
Worldwide fax



sales@ntigo.com



www.networktechinc.com

© 2008 NTI
All rights reserved